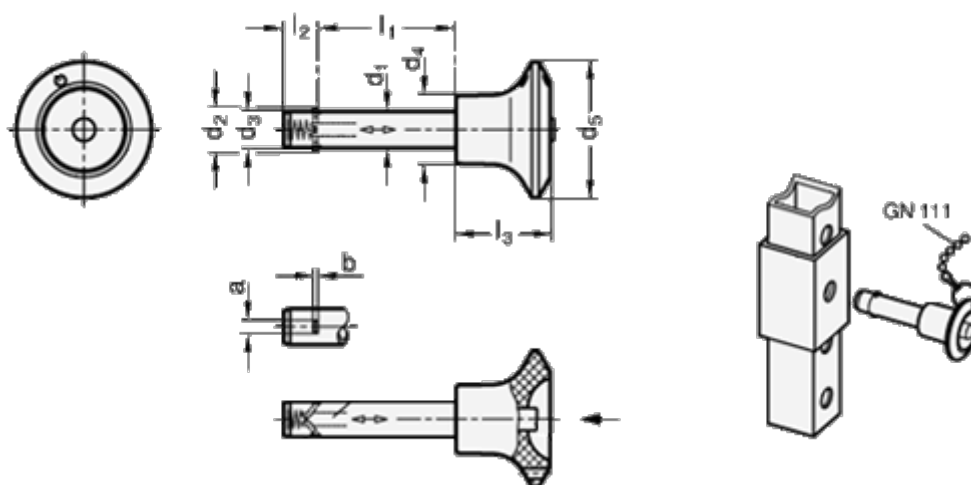


Article number: 2011461040

Description: E+G Stainless steel lock pin  
GN 114.6-10-40

## Measures



a = 3.3

d1 = 10

d2 = 12.8

d3 = 9.9

d4 = 18.0

d5 = 34

l1 = 40

l2 = 9.8

l3 = 26

Resilience (N) = 38